

## Amati.linea Streaming Player w/o amplifier

**Amati.linea Streaming player** plays all your network music in HD quality staying design wise, powerfull and affordable. Streaming Player plays music from 32GB built-in flash, UPnP/DLNA servers, Airplay, FTP servers, Internet radios. KNXnet/IP support allows easy and fast audio control function, internet radio and specific song or folder mapping to KNX group addresses.

Not only the listening experience is made beautiful with SP, but the domestic visual experience as well. Streaming Player takes care of the flawless stream, the perfect timing needed to get so deep into your digital recordings, you'll completely rediscover everything you've ever heard in digital.



### ENG - Data sheet

Issue date 26.11.2021

## Application

Music integration into BMS, Multi-room, Control of whole music/player library from touch devices

## Types of product

AUDIO-DINST Streaming Player w/o amplifier

## Standards and norms compliance

EMC: EN61000-6-1  
EN61000-6-3  
PCT Certificate

## Technical data:

Power supply:	7-36V DC	
Power consumption:	1.2W	Idle mode
Connectivity:	10BaseT/100BaseTX	1
	USB2.0	1
	0-10V input	1
	Line-out pairs	2
	Triggers	4 (24V DC on/off)
Connections:	KNX bus:	KNXnet/IP over Ethernet
	Power supply:	Clamp, 1.5mm2, up-to 8A
	IO/Triggers:	Clamp, 1.5mm2
	Line-out	1 – RCA, 1 – Screw
Operating elements	LED	1 – CPU load 1 - Activity
Audio	Audio formats	MP3, WAV, AAC, WMA, FLAC, lossless FLAC 96/24, 24/192
	Protocols supported	DLNA, UPnP, AirPlay, FTP, HTTP, KNXnet/IP, Modbus TCP/RTU
Digital to analog converter	SNR	112dB
	Dynamic range	112dB
	THD+N	0.002%
	Sampling frequency	8kHz to 384kHz
	Resolution	16, 24, 32 bit audio data

## Features

Programmable audio DSP;  
Selectable Digital-Filter  
Latency and Performance (4  
types); Selectable  
Oversampling Rates (x1, x2,  
x4, x8)

## Enclosure:

Material:  
Color:  
Dimensions:

Polyamide  
Gray  
52(W)x90(H)x51(L) mm

Usage temperature:

-5C ... +45C

Storage temperature:

-25C ... +55C

Weight:

150g

Warranty:

2 years



**Caution**  
**Security advice**

The installation and assembly of electrical equipment may only be performed by skilled electrician. The devices must not be used in any relation with equipment that supports, directly or indirectly, human health or life or with application that can result danger of people, animals or real value

**Mounting advice**

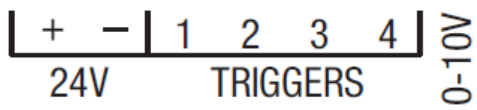
The devices are supplied in operational status. The cables connections included can be clamped to the housing if required.

**Electrical connection**

The devices are constructed for the operation of protective low voltage (SELV). Grounding of device is not needed. When switching the power supply on or off, power surges must be avoided.

## Terminal connection scheme

Top connections:

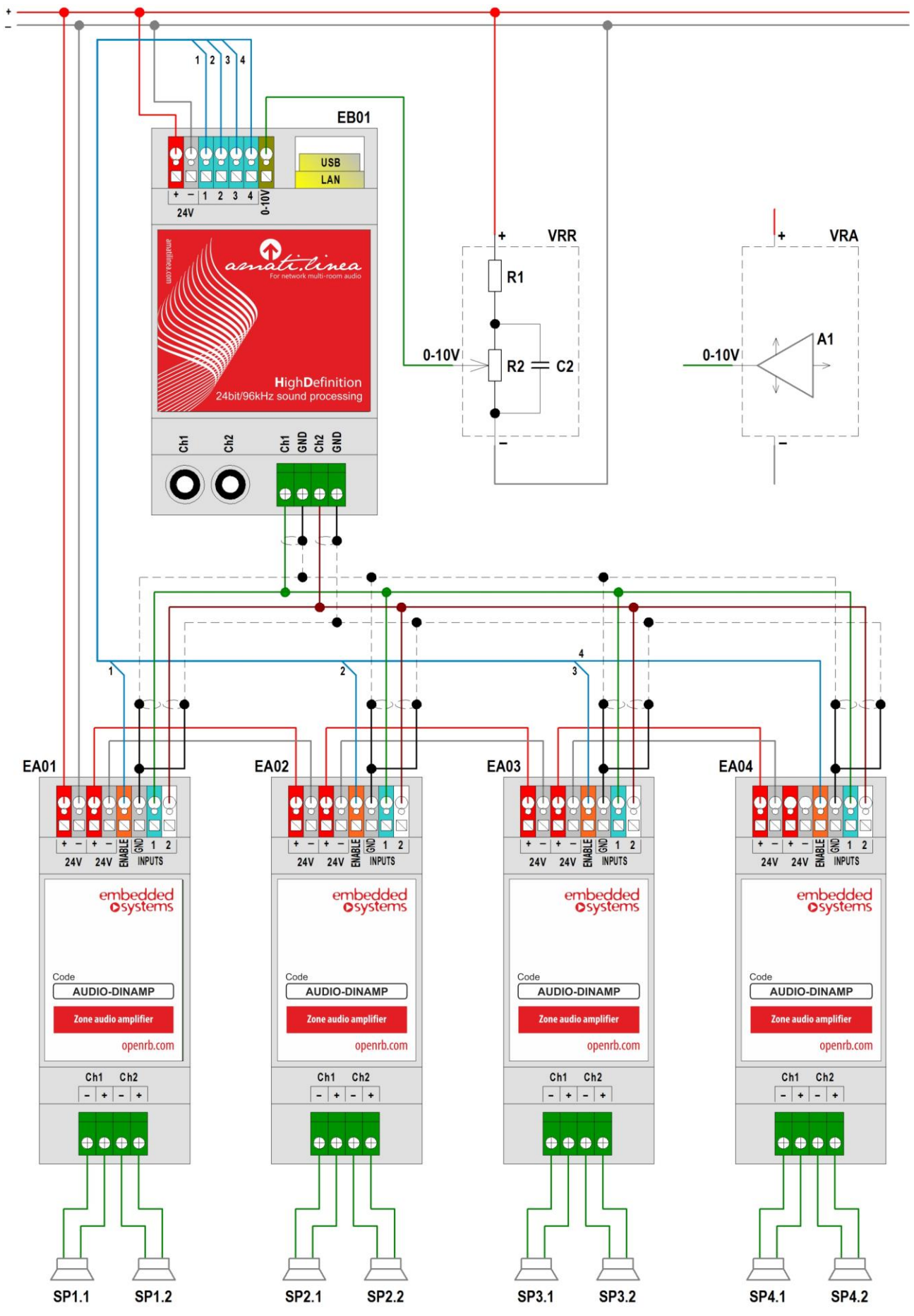


Bottom connections:



CH1                      CH2                      CH1    GND    CH2    GND

## Default IP configuration

Login name (System config)	admin
Password (System config)	admin
IP address/mask	DHCP-client



The device may be used for installations in dry locations.

1. Connect Ethernet cable to LAN port (make sure the cable is interconnected with your local network)
2. Connect power supply to Streaming Player (power supply's red pole to +24V, black – GND).
3. Connect external amplifier to one of Line-out output pairs
4. To check if the wiring is done well, you can run any music file on your iPhone/iPOD and Share it to play on remote Airplay device (*amatilinea*).
5. Streaming Player is setup as DHCP-client. It uses Zero-config utility is called "Bonjour" by Apple which enables automatic discovery of computers, devices, and services on IP networks. iPod, iPhone have this utility pre-installed. For iPad use utility called **Discovery** (the server will be discovered in the service ROAP). On Windows 7 computer you can see the Player as Network share with name *amatilinea*, right click on it, Properties and you will see its IP address. Or you can simply check your DHCP server's lease list to find assigned IP to Streaming Player. More see here: <http://openrb.com/discover-ip-of-logic-machine-or-streaming-player/>
6. Enter Streaming Player's home page by typing IP address in your web browser.
7. DLNA/UPnP/Airplay services are enabled by default in the Streaming Player's *Quick setup*  
  
Depending on count of music files the device will update its local database in Audio Player menu and you can start playing songs there
8. Connect by remote user interface (also called digital media controllers) from iPOD/iPhone/iPAD (*MPoD/MPaD* or any UPnP controller apps available as freeware at App Store like *Kinsky*), Android-based phones (*Droid MPD*), PC (*Ario, Kinsky*). Choose the server (*amatilinea* or by IP) and start making your playlists, controlling the music etc. Update player's database with *Update Database* command from your remote controller. **It might take some time to do initial database update.**
9. Map music control functions to KNX in *Network config*  *Network*  *KNX Audio control* menu. Default login and password to access *Network config* is **admin / admin**

Please note that you have to **use external KNX IP Router** (e.g. Logic Machine 3) to access the KNX TP, as Streaming Player supports only KNXnet/IP (TP is not used due to sound quality distortions).