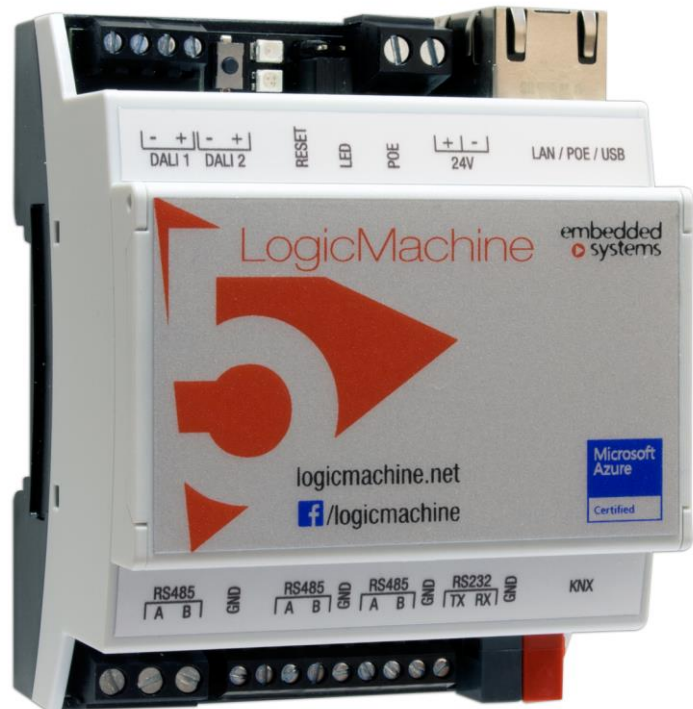


LogicMachine5 Power (LM5p2-DR)

LogicMachine (LM) is your easiest way to program complex logic in KNX/EIB, Modbus, BACnet, DALI networks. LM will enable you to efficiently customize building automation processes, easily delivering unlimited flexibility benefit to end users in a cost-effective way.

LM5 Power is an embedded platform with integrated Ethernet, USB, KNX/EIB, DALI, Serial interfaces. LM allows to use it as cross-standard gateway, logic engine, visualization platform, IP Router. Scripting templates provides user-friendly, flexible configuration interface and integration with cloud/web services, 3rd party devices. Via applying custom scripts LM can simultaneously act as thermostat, security panel, lighting controller, etc. LogicMachine application store and external app development possibility allows to extend device functionality and adjust to a specific market segment



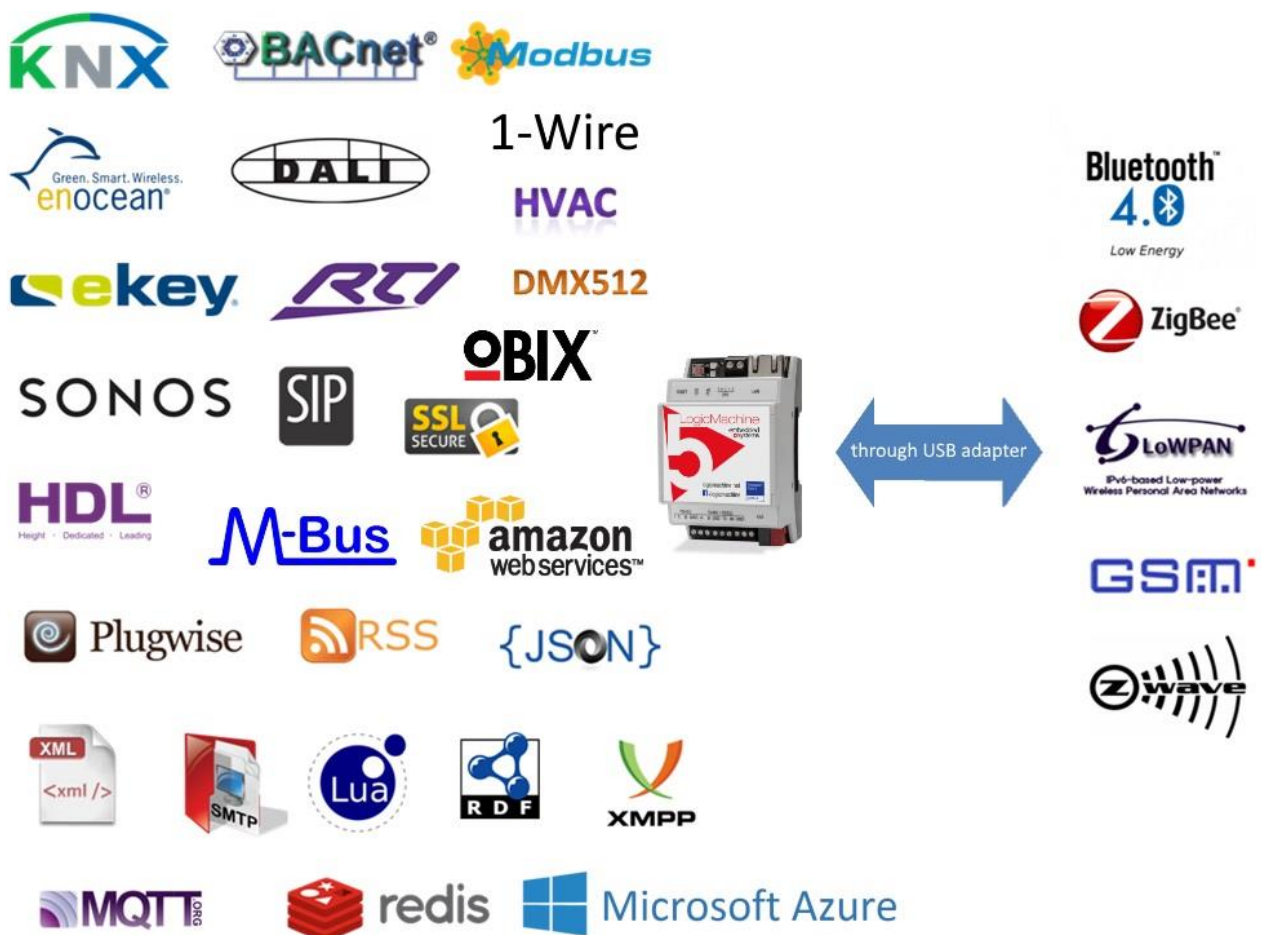
LM5 Power has Power-over-Ethernet support. Further, LM5 Power is 3x more powerful than all previous LogicMachine versions due to more powerful CPU and RAM.

ENG - Data sheet

Issue date 26.11.2021

Application

- Logical functions
- WEB SCADA visualization for PC and touch-devices
- cross-standard gateway
- integration with third party devices over USB, RS485 serial port, Ethernet – AV, IR, HVAC
- Data logger with trends
- KNX IP Router
- Presence monitoring
- Lighting regulation
- Universal controller (lighting, shutter etc.)
- Health/activity monitoring
- Internet-of-Things
- Cloud server/client
- ...



Types of product

LogiMachine5 Power	LM5p2-DR
LogiMachine5 Power CANx	LM5Cp2-DR

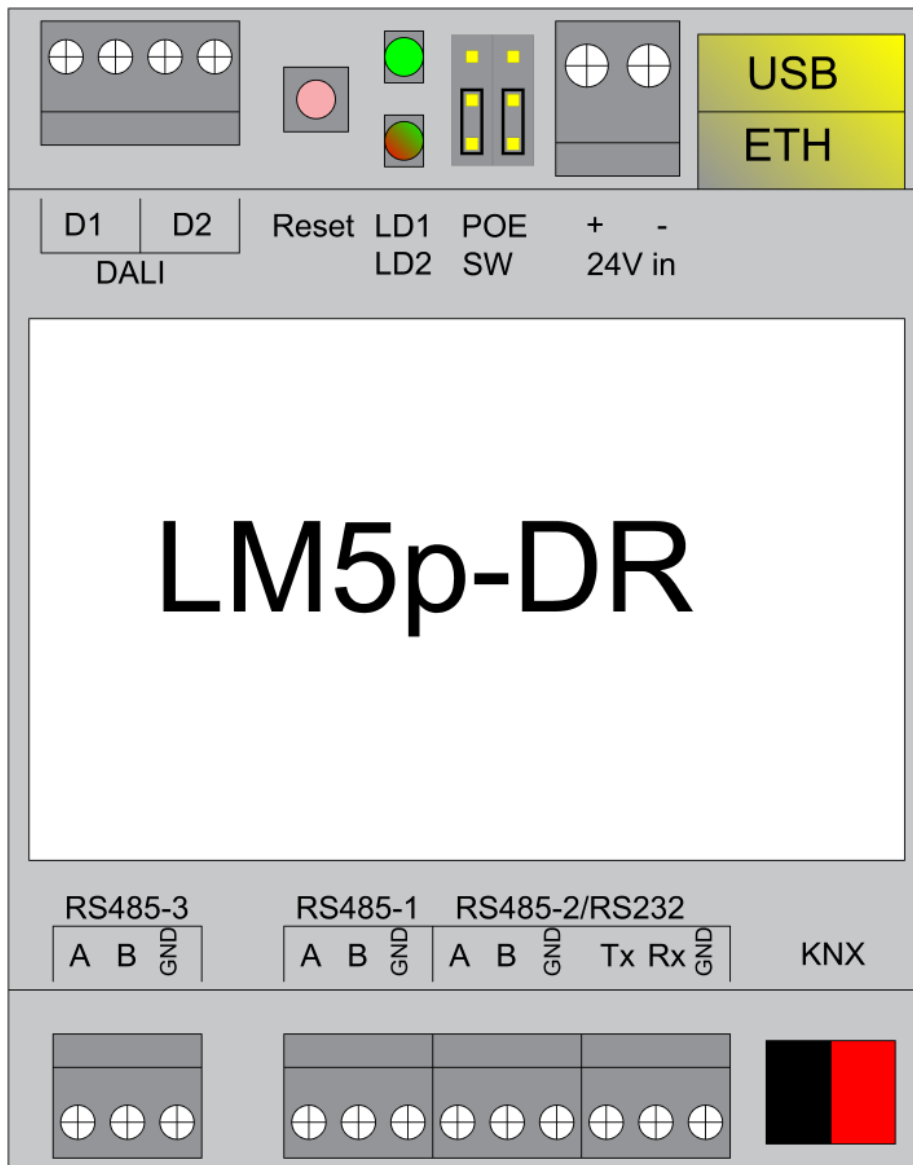
Standards and norms compliance

EMC:	EN61000-6-1 EN61000-6-3
PCT	Certificate

Technical data:

Power supply:	12V-30V DC on terminal connectors or 12V-30V DC Passive Power-over-Ethernet	
Power consumption:	1.3W	
Interface:	KNX/EIB TP1 or CAN FT	1
	10BaseT/100BaseTX	1
	RS-485	2
	RS-485/RS-232	1
	(switchable in software – full-duplex=RS232, half-duplex=RS485)	
	DALI master	2 (up to DALI 128 ballasts in total)
Connections:	KNX bus / CANx	Bus Connection Terminal 0.8mm ²
	Power supply	Screw, 1.5 mm ²
	Serial	Screw, 1 mm ²
	DALI	Screw, 1 mm ²
Operating elements	LED	1 – CPU load 1 - Activity
Enclosure:	Material:	Polyamide
	Color:	Gray
	Dimensions:	71(W)x90(H)x61(L) mm

Usage temperature: 0C ... +45C
 Storage temperature: -15C ... +55C
 Net Weight: 119g
 Gross Weight: 137g
 Warranty: 2 years
 Relative Humidity: 10...95 % without condensation





Caution Security advice

The installation and assembly of electrical equipment may only be performed by skilled electrician. The devices must not be used in any relation with equipment that supports, directly or indirectly, human health or life or with application that can result danger of people, animals or real value

Mounting advice

The devices are supplied in operational status. The cables connections included can be clamped to the housing if required.

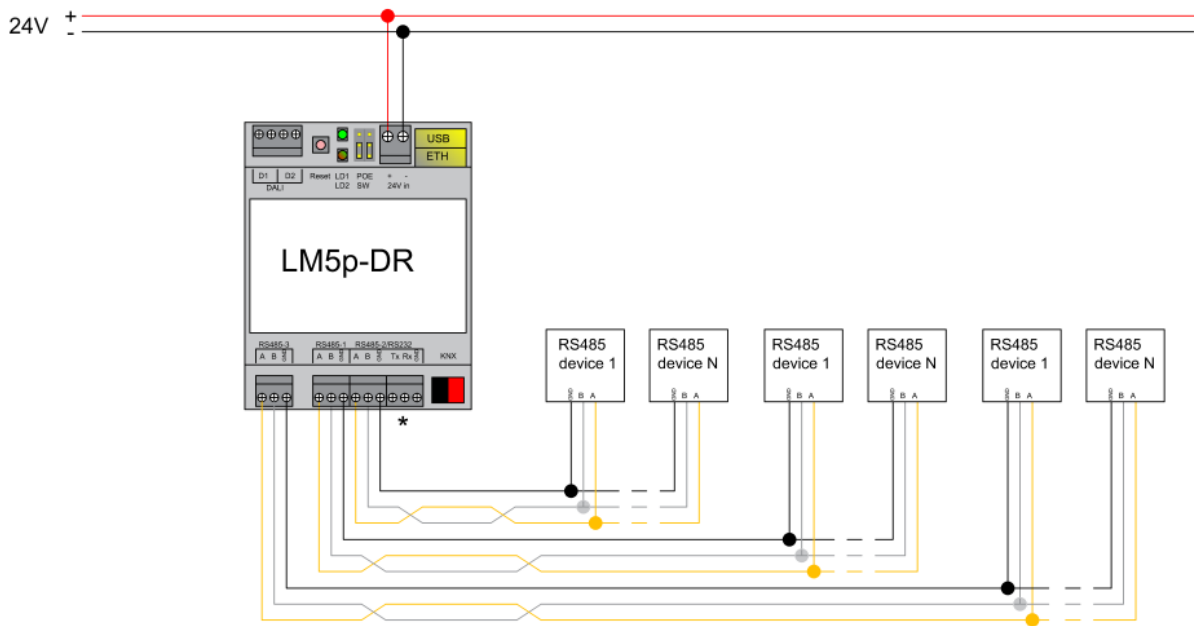
Electrical connection

The devices are constructed for the operation of protective low voltage (SELV). Grounding of device is not needed. When switching the power supply on or off, power surges must be avoided.

RS-485 connection

There can be used max three RS-485 on LM5p Power. First and third ones are definitive, second one is software switchable – either it works as RS-485 or as RS-232:

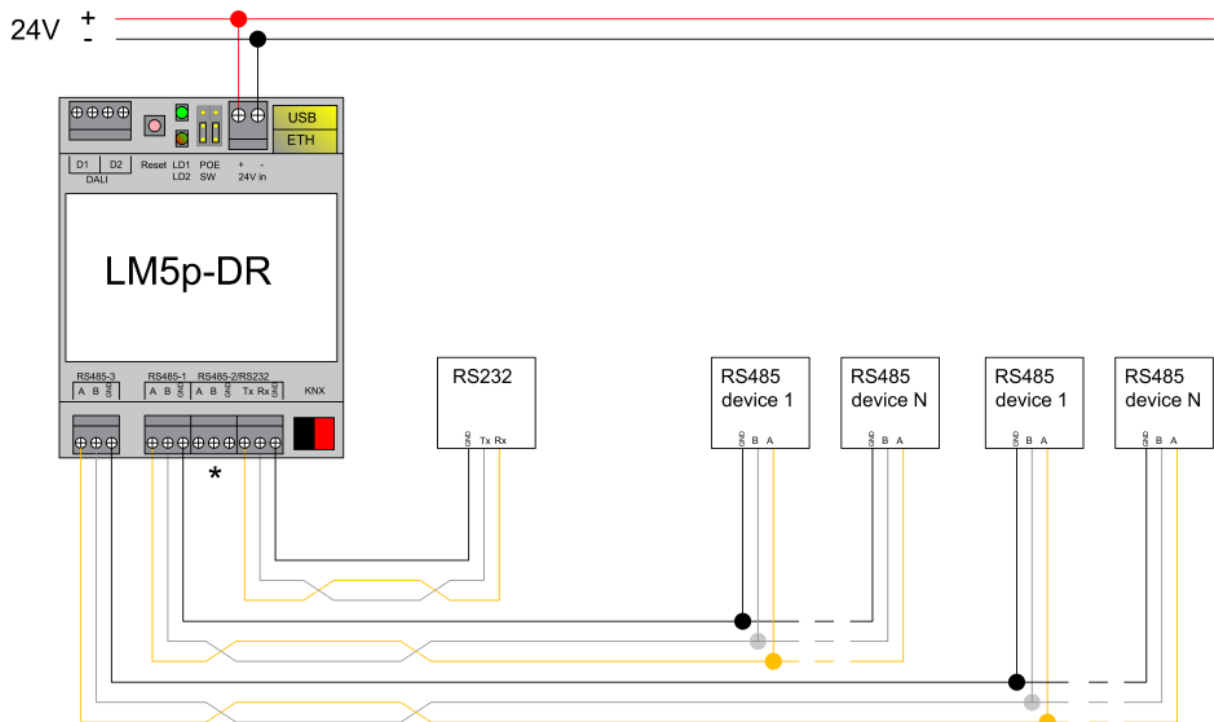
- If it is set up as full-duplex it will operate as RS-232 and respective TX/RX/GND screw terminals should be used
- If it is set up as half-duplex (*) it will operate as RS-485 and respective A/B/GND screw terminals should be used



*RS-485 is chosen in this case, RS-232 is not activated

RS-232 connection

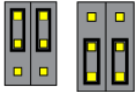
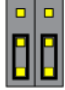
If second serial port is set as full-duplex in LogicMachine configuration, it will operate as RS-232 and respective TX/RX/GND screw terminals should be used.



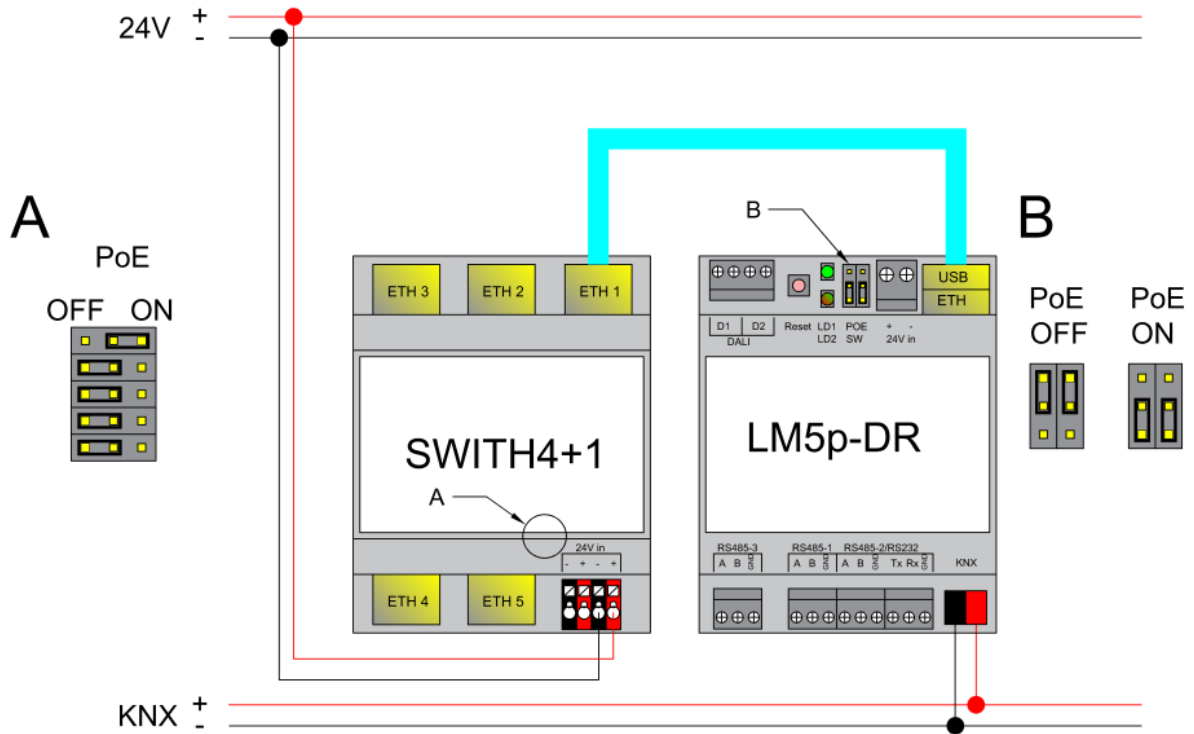
*RS-232 is chosen in this case, RS-485 is not activated

Powering

LM5 supports two powering modes:

- regular powering over screw terminals (Jumpers up or down) 
- passive PoE powering over 24V DC (Jumpers down) 
- when using active PoE 48V, jumpers have to be UP or the product **will be damaged!**

Please note that there are two PoE types of PoE switches/adapters – passive and active (802.3af). In passive mode 4 Ethernet cable wires are used for data and 4 are used for power. In active PoE mode data and power goes together.



Passive PoE switch

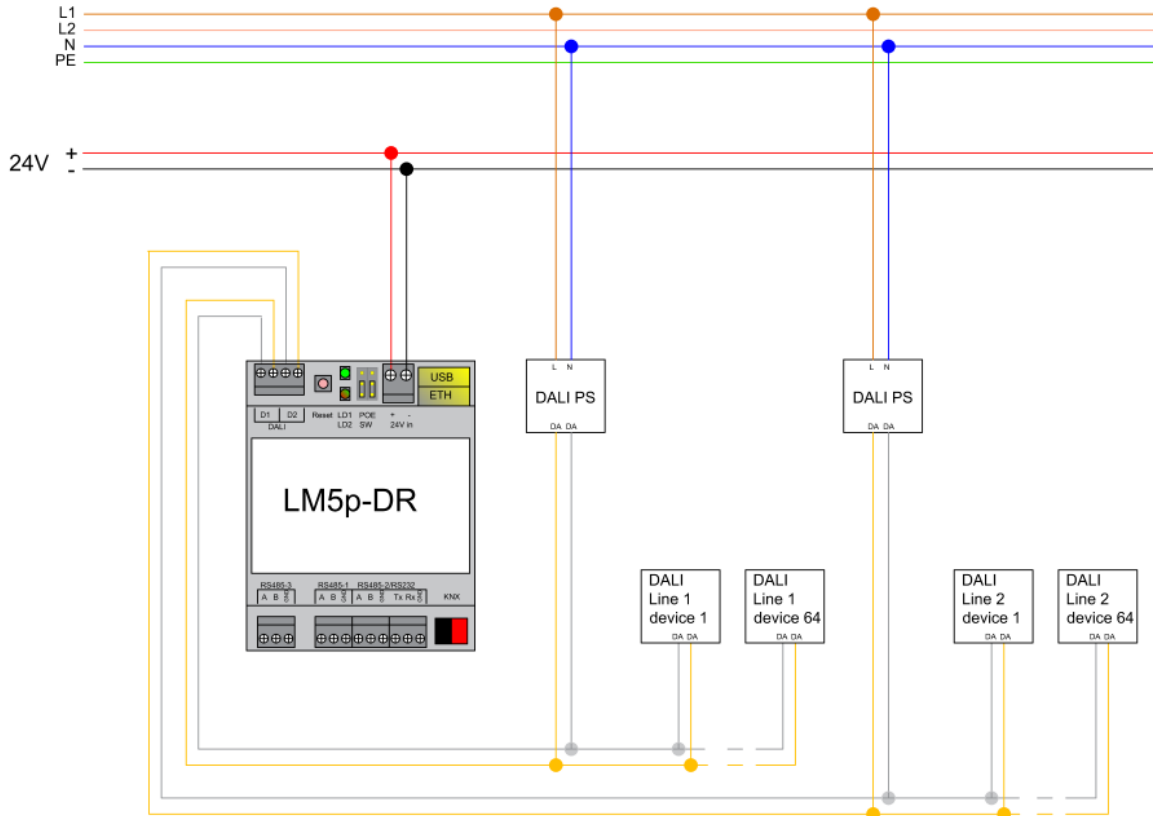


Passive PoE adapters

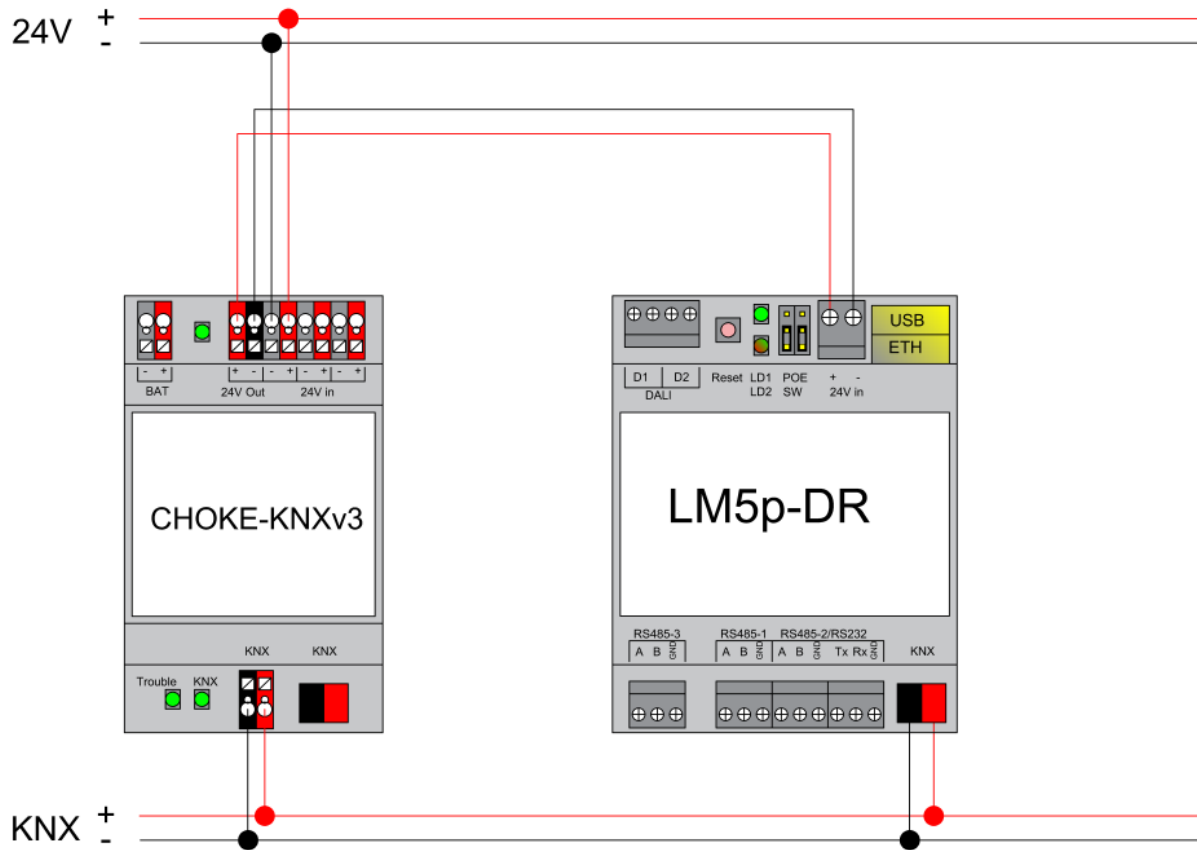


DALI connection

There are two DALI master interfaces in this device. You can connect up to 64 DALI ballasts to each master interface.



KNX connection



Quick startup guide

- 1) Mounting the device on DIN rail
- 2) Connect the KNX bus cable
- 3) Connect 24V power supply to the device (either through separate 24V screw terminals or through Passive 24V DC Power-Over-Ethernet)
- 4) Connect Ethernet/LAN cable coming from the PC

Default IP configuration

Login name	admin
Password	admin
IP address	192.168.0.10
Network mask	255.255.255.0

Reset device

You can either reboot the device by pressing RESET button or reset the configuration to factory defaults:

- *Press and hold for <10 sec* – reboot the device
- *Press and hold for >10 sec* – reset networking with IP to factory default
- *Press and hold for >10 sec and again press and hold for >10 sec* – full reset of configuration to factory defaults