

Embedded Systems SIA, VAT No LV40003411103
47. Katolu str., Riga, LV 1003, LATVIA
Phone: +371 67648888, fax: +371 67205036, e-mail: sales@openrb.com

CANx Shutter actuator 2 x channel, 4 x pushbutton inputs

ENG - Data sheet

Issue date 1.02.2018

Application

2 channel CAN shutter actuator is designed to be used in building and industrial automation applications to control shutter motors. The device has 4 buttons inputs to interconnect with shutter control pushbuttons. The configuration and monitoring of the device is done through separate LogicMachine CANx application. The device is designed for DIN-rail mounting and requires 4 DIN-units.



Types of product	
CAN-SA2	CANx Shutter actuator 2 x channel, 4 x pushbutton inputs
Technical data	
Power supply	12-32V DC
Power consumption (at 24V)	15 mA (relays off), 8.5 mA /relay
DC overvoltage protection:	50 V
Wrong wiring polarity protection	Yes
Interfaces and operating elements	
Relays	2x2
Rated voltage/current	250V AC (5 A), 30V DC (5 A)
Digital inputs	4
USB	1 microUSB for upgrade firmware flashing
CAN FT	1
LED	1 – CPU load, 1 - Error, 4 – Shutter status
Relay manual operating buttons	4
Programming/reset button	1
Clamps and enclosure	
CAN FT Terminal	0.8mm ²
Power supply	5 mm ²
Digital inputs	3.5 mm ²
Color	Gray
Dimensions	70(W)x100(H)x56(L) mm
Protection	IP20 according to EN 60529
Usage temperature	-5C ... +55C
Storage temperature	-20C ... +70C
Net weight:	145 g
Gross weight	160 g
Standards and norms compliance	
CE conformity	EMBS-CE-190223/17 Electromagnetic compatibility
EMC	EN61000-6-1, EN61000-6-3



Caution

Security advice

The installation and assembly of electrical equipment may only be performed by skilled electrician. The devices must not be used in any relation with equipment that supports, directly or indirectly, human health or life or with application that can result danger of people, animals or real value

Mounting advice

The devices are supplied in operational status. The cables connections included can be clamped to the housing if required.

Electrical connection

The devices are constructed for the operation of protective low voltage (SELV). Grounding of device not needed. When switching the power supply on or off, power surges must be avoided.

Default settings

Line ID: 0

Node ID: 1

Max. number of group addresses per object : 16

Reset to defaults

Press programming button for 5 seconds, the RED LED blinks 2 times, then release button - GREEN lights up shortly.

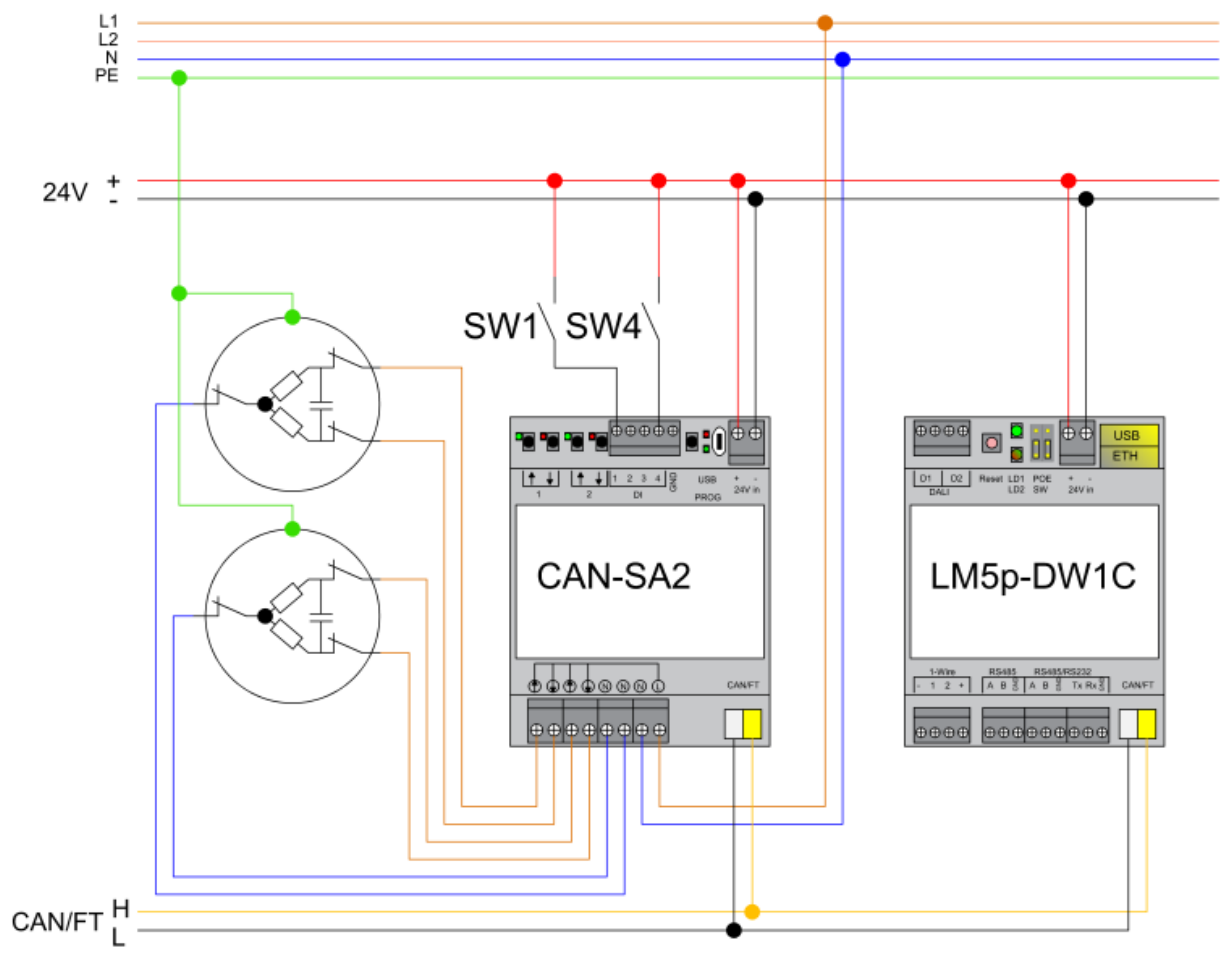
Programming physical address

Press *Tools* → *Write device address* from CANx app. Choose address and press *Write*. Then press programming button shortly on the device, GREEN LED lights up shortly. The LED is switched off automatically in 1 second which means address is written

Shutter requirements

Each shutter control interface consists of two relays (up / down). CAN-SA2 automatically protects against simultaneous activation of one channel's both outputs and limits maximum active state to prevent overloading.

Connection diagram



CANx software settings

Move/Rotate A: move Up/Stop

Channel mode: movement mode – prolonged movement, ability to move the shutter from lock to lock for 1 cycle e.g. for curtain/shutter motor control mechanism.

Channel mode: rotation (impulse) – Impulse control, the motor automatically stops after short period of time (step), which in some cases gives a possibility of accurate positioning e.g. in blinds

Default flags: read (R), transmit (T), write (W)

S2 (2 Channel shutter actuator) (0.1) Device location + Add - No location - x

All Enabled Disabled Move/Rotate A Move/Rotate B Timer

Channel 1
Channel 2

Move/Rotate A

Channel mode: rotation (impulse) ▼

Disabled
Channel mode: movement mode
Channel mode: rotation (impulse)

Flags F T R W

Tags Q No tags set

Move/Rotate B: move Down/Stop

Default flags: read (R), transmit (T), write (W)

S2 (2 Channel shutter actuator) (0.1) Device location + Add - No location - x

All Enabled Disabled Move/Rotate A Move/Rotate B Timer

Channel 1
Channel 2

Move/Rotate B

Enabled ▼

Flags F T R W

Group addresses + Add 1 bit (boolean)

Q No group addresses selected

Tags Q No tags set

Timer:

Movement – auto-off timer (seconds, 0=disabled)

Rotation – impulse length (milliseconds, step = 50ms)

S2 (2 Channel shutter actuator) (0.1)

Device location + Add - No location - ✕

All Enabled Disabled

Move/Rotate A ✔ Move/Rotate B ✔ Timer

Channel 1

Channel 2

Timer

50

Movement: auto-off timer (seconds, 0 = disabled)

Rotation: impulse length (milliseconds, step = 50ms)