

Embedded Systems SIA, VAT No LV40003411103
47. Katolu str., Riga, LV 1003, LATVIA
Phone: +371 67648888, fax: +371 67205036, e-mail: sales@openrb.com

CANx 8 x 10A Relays

ENG - Data sheet

Issue date 1.06.2017

Application

8 channel CAN relay extension is designed to be used in building and industrial automation applications as an extension module to LogicMachine series devices based on CAN FT bus. The configuration and monitoring of the device is done through separate LogicMachine CANx application. The device is designed for DIN-rail mounting and requires 4 DIN-units.





Caution

Security advice

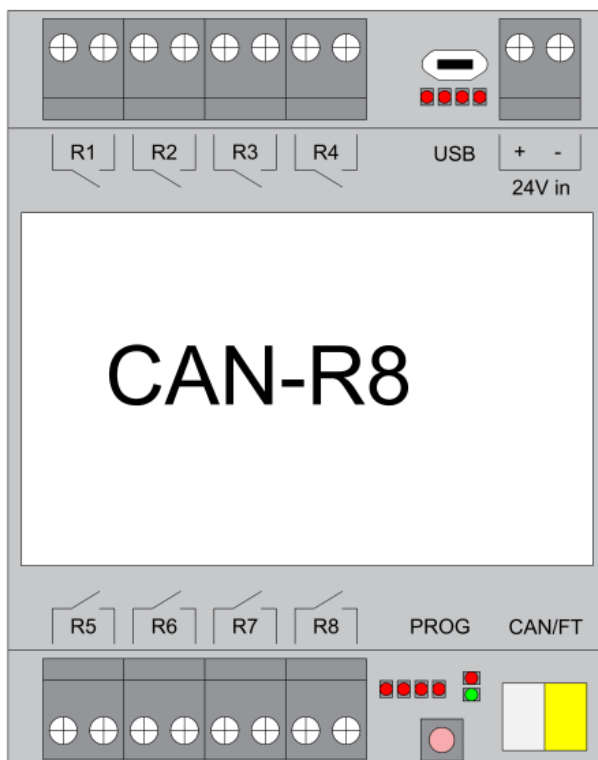
The installation and assembly of electrical equipment may only be performed by skilled electrician. The devices must not be used in any relation with equipment that supports, directly or indirectly, human health or life or with application that can result danger of people, animals or real value

Mounting advice

The devices are supplied in operational status. The cables connections included can be clamped to the housing if required.

Electrical connection

The devices are constructed for the operation of protective low voltage (SELV). Grounding of device not needed. When switching the power supply on or off, power surges must be avoided.



Types of product	
CAN-R8	CANx 8 x 10A Relays
Technical data	
Power supply	12-32V DC
Power consumption (at 24V)	10 mA (relays off), 78 mA (relays on)
DC overvoltage protection:	50 V
Wrong wiring polarity protection	Yes
Interfaces and operating elements	
Relays	8
Rated voltage/current	250V AC (10A), 30V DC (5 A)
USB	1 microUSB for upgrade firmware flashing
CAN FT	1
LED	1 – CPU load, 1 - Activity, 8 - Relay status
Programming/reset button	1
Clamps and enclosure	
CAN FT Terminal	0.8mm ²
Relays	5 mm ²
Power supply	5 mm ²
Color	Gray
Dimensions	70(W)x91(H)x56(L) mm
Protection	IP20 according to EN 60529
Usage temperature	-5C ... +55C
Storage temperature	-20C ... +70C
Net weight:	104 g
Gross weight	122 g
Standards and norms compliance	
CE conformity	EMBS-CE-190223/16 Electromagnetic compatibility
EMC	EN61000-6-1, EN61000-6-3

Default settings

Line ID: 0

Node ID: 255

Max. number of group addresses per object : 16

Reset to defaults

Press programming button for 5 seconds, the RED LED blinks 2 times, then release button - GREEN lights up shortly.

Programming physical address

Press *Tools* → *Write device address* from CANx app. Choose address and press *Write*. Then press programming button shortly on the device, GREEN LED lights up shortly. The LED is switched off automatically in 1 second which means address is written.

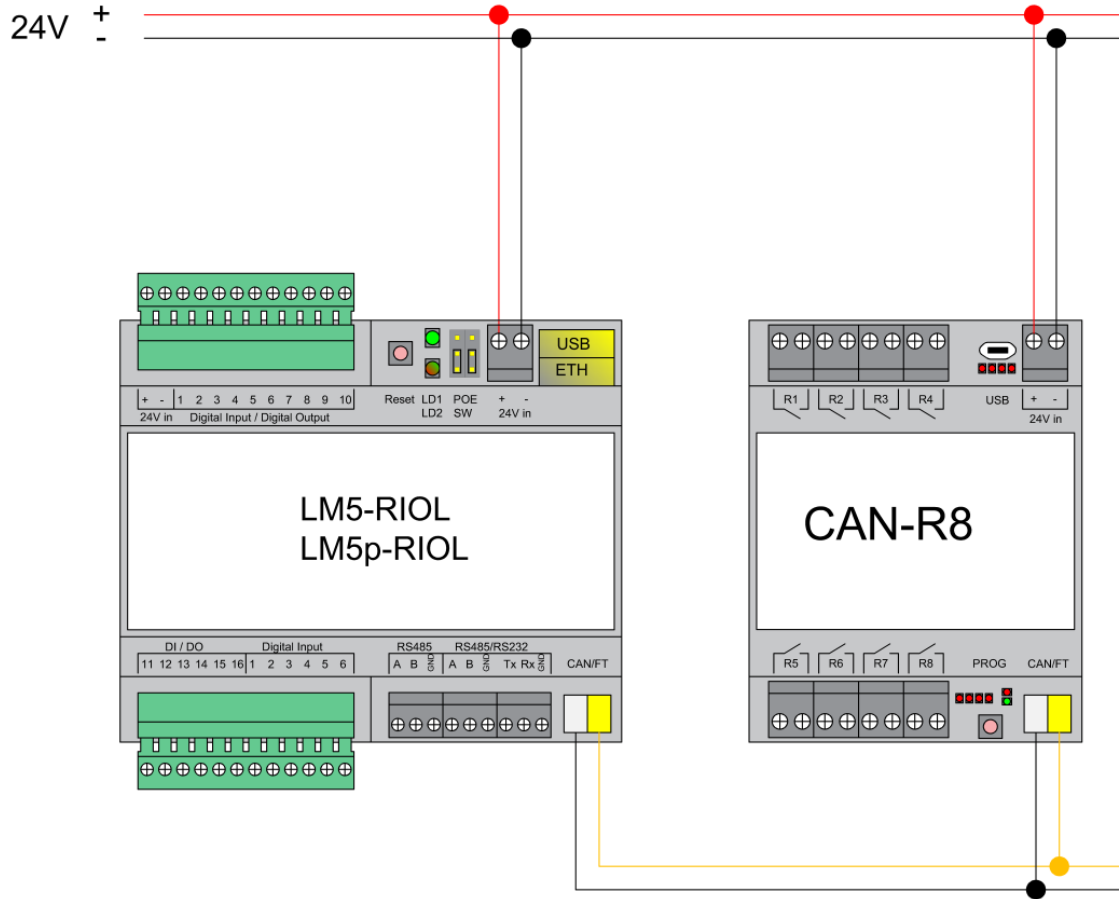
Manual relay control

When opening the front cover, you will find buttons for manual relay control.

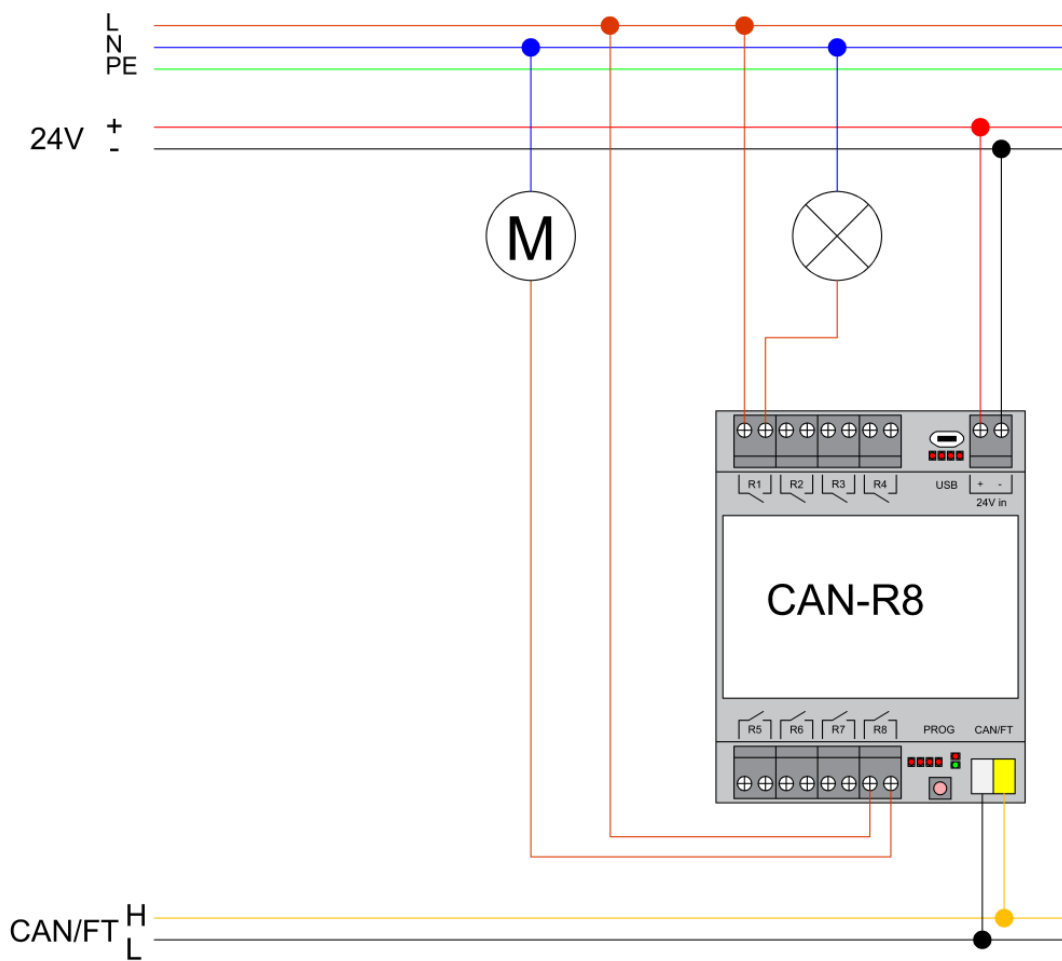


Connection diagrams

CAN FT connection



Lamp / motor / etc. connection



CANx software settings

Relay

R8 (2 Relay outputs) (0.2)



All Enabled Disabled

Relay 1 Relay status 1

Port 1	Relay 1
Port 2	
Port 3	
Port 4	
Port 5	
Port 6	
Port 7	
Port 8	

Relay 1

Normal - Off after power-up

Disabled

Normal - Off after power-up

Inverse - Off after power-up

Normal - On after power-up

Inverse - On after power-up

Flags

F T R W

Tags

Q No tags set

[Save and write to device](#) [Save](#) [Cancel](#)

Default flags: read (R), write (W), transmit (T)

Relay mode:

Normal – Off after power-up

Inverse – Off after power-up



Normal – On after power-up

Inverse – On after power-up

Group addresses – you can assign group addresses from the predefined list or add manually by clicking on ADD button. You can assign max 16 group addresses to one object / output.

Relay status

R8 (2 Relay outputs) (0.2) x

All Enabled Disabled Relay 1  Relay status 1 

Port 1	Relay status 1	Normal	Flags			
Port 2		Disabled	F	T	R	W
Port 3		Normal				
Port 4		Inverse				
Port 5		<small>no group addresses selected</small>				
Port 6	Tags					
Port 7		No tags set				
Port 8						

[Save and write to device](#) [Save](#) [Cancel](#)

Default flags: read (R), transmit (T)

Output status: Disabled, Normal, Inverse

Group addresses – you can assign group addresses from the predefined list or add manually by clicking on ADD button. You can assign max 16 group addresses to one object / relay status