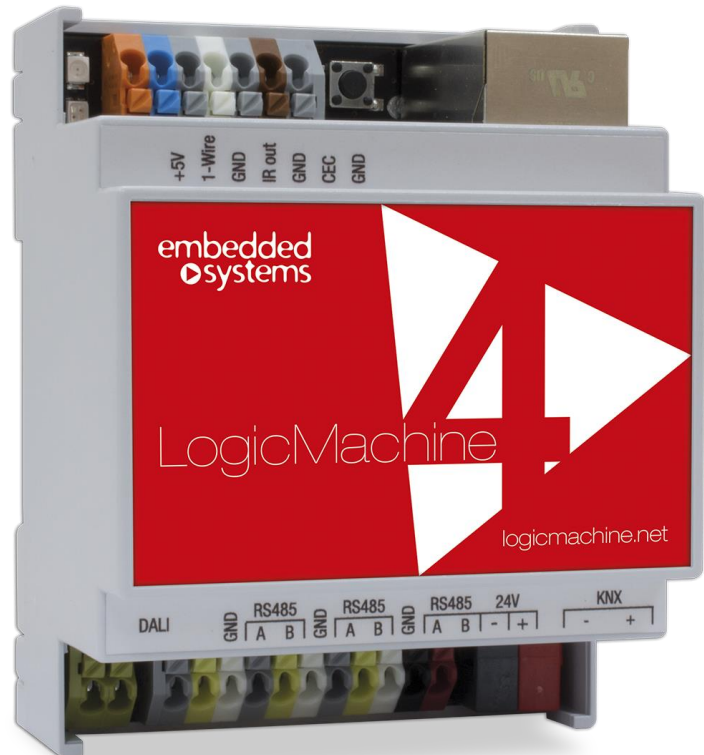


## Logic Machine 4

**LogicMachine (LM)** is your easiest way to program complex logic in KNX/EIB, Modbus, BACnet, EnOcean, DALI, 1-wire networks. LM will enable you efficiently customize building automation processes, easily delivering unlimited flexibility benefit to end users in a cost-effective way.

**LM** is an embedded platform with integrated Ethernet, USB, DALI, 1-Wire, KNX/EIB, Serial interfaces, HDMI CEC. LM allows to use it as cross-standard gateway, logic engine, visualization platform, IP Router. Scripting templates provides user-friendly, flexible configuration interface. Via applying custom scripts LM can simultaneously act as thermostat, security panel, lighting controller, etc.



### ENG - Data sheet

Issue date 12.09.2014

## Application

Logical functions; WEB SCADA visualization for PC and touch-devices; cross-standard gateway; integration with third party devices over RS232 or RS485 serial ports – AV, IR, HVAC; Data logger with trends, KNX IP Router etc.







## **Caution Security advice**

The installation and assembly of electrical equipment may only be performed by skilled electrician. The devices must not be used in any relation with equipment that supports, directly or indirectly, human health or life or with application that can result danger of people, animals or real value

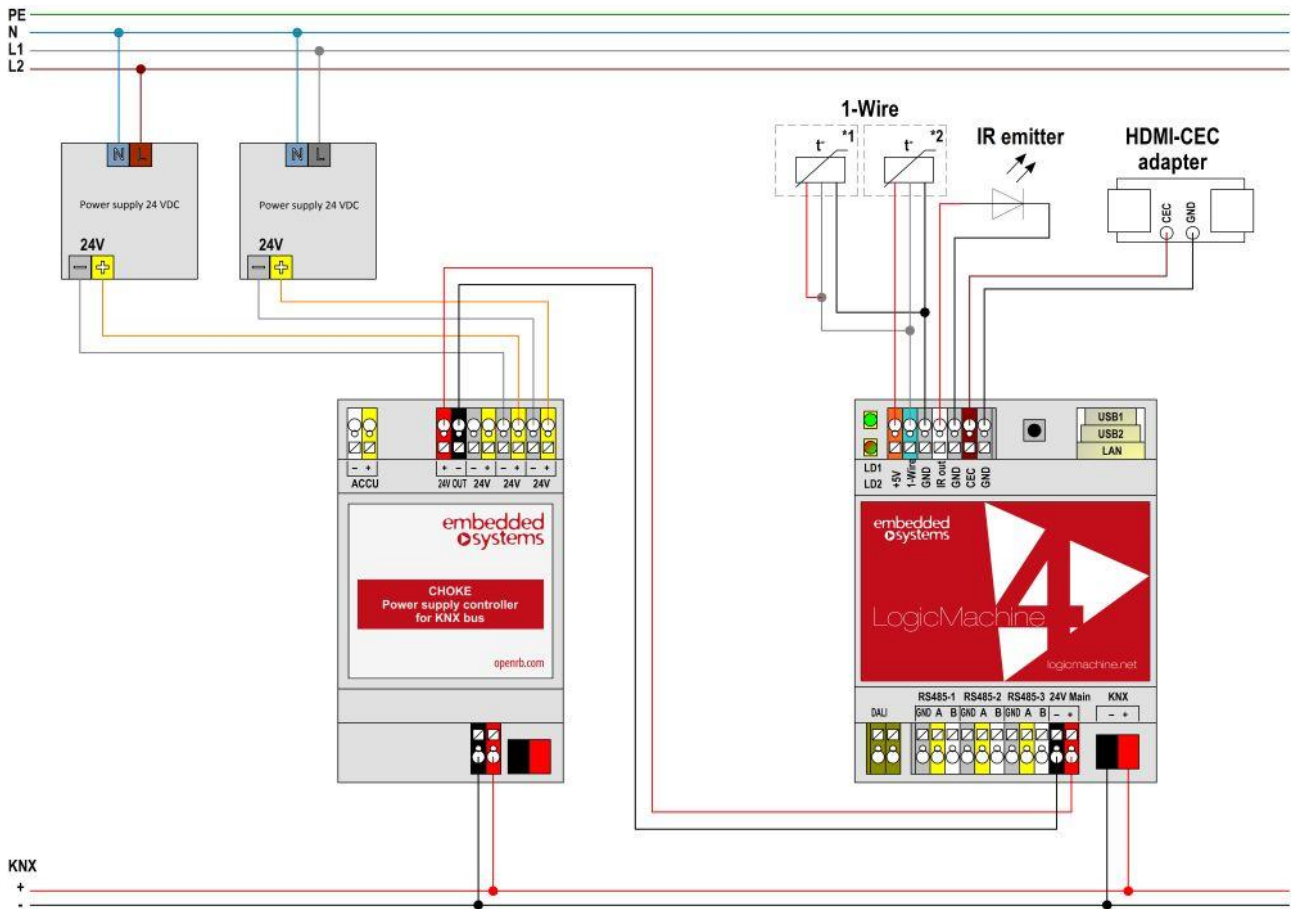
## **Mounting advice**

The devices are supplied in operational status. The cables connections included can be clamped to the housing if required.

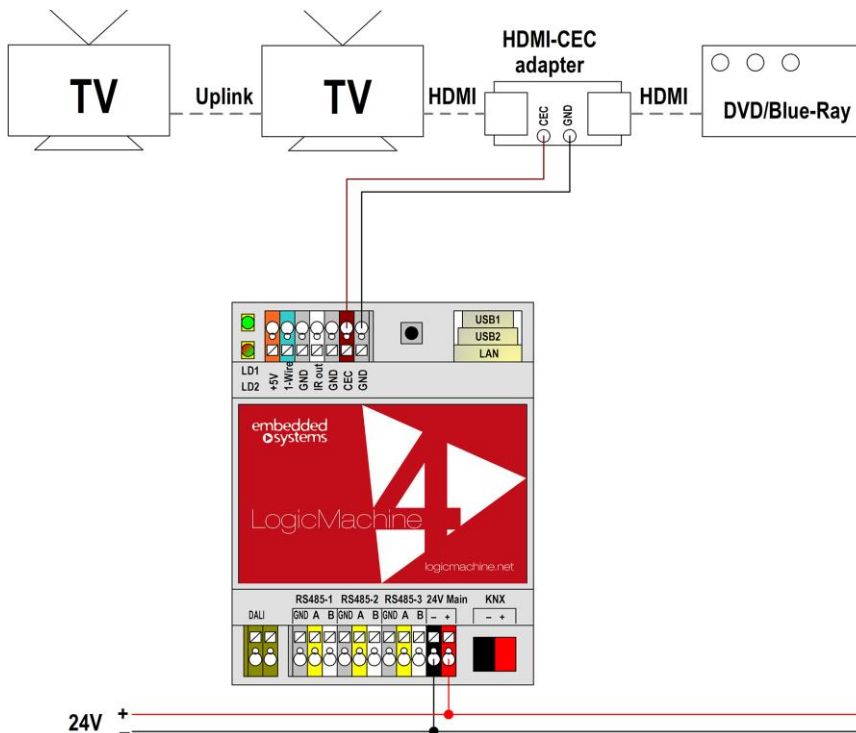
## **Electrical connection**

The devices are constructed for the operation of protective low voltage (SELV). Grounding of device is not needed. When switching the power supply on or off, power surges must be avoided.

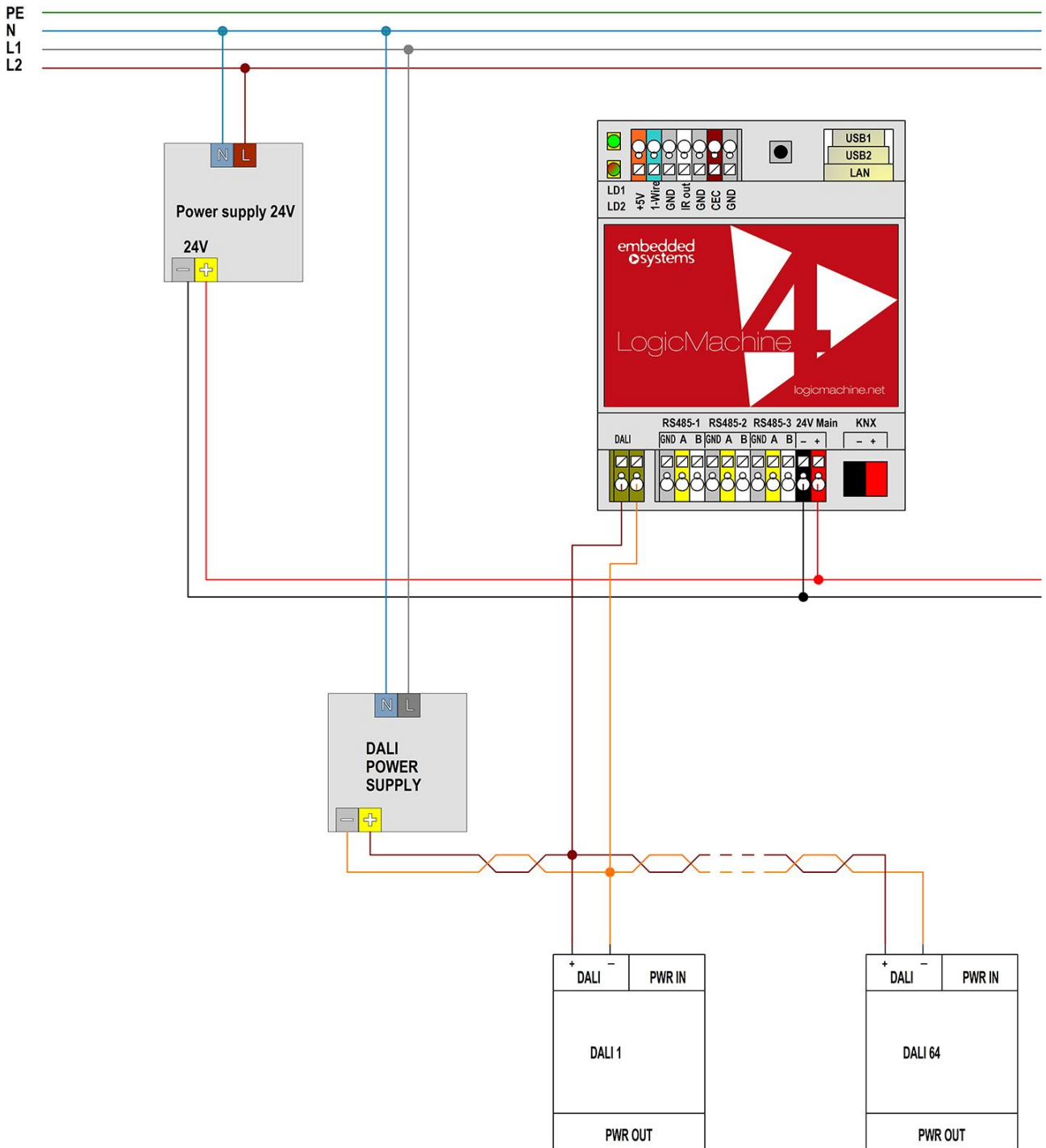
# Terminal connection scheme



# CEC connection



# DALI connection



## Quick startup guide

- 1) Mounting the device on DIN rail
- 2) Connect the KNX bus cable
- 3) Connect 24V power supply to the device (red pole to 24V+, grey pole to GND)
- 4) Connect Ethernet/LAN cable coming from the PC

## Default IP configuration

Login name	admin
Password	admin
IP address	192.168.0.10
Network mask	255.255.255.0

## Reset device

You can either reboot the device by pressing RESET button or reset the configuration to factory defaults:

- *Press and hold for <10 sec* – reboot the device
- *Press and hold for >10 sec* – reset networking with IP to factory default
- *Press and hold for >10 sec and again press and hold for >10 sec* – full reset of configuration to factory defaults