

Amati.linea Streaming Player with amplifier

Amati.linea Streaming player plays all your network music in HD quality staying design wise, powerfull and affordable. Streaming Player plays music from 32GB built-in flash, UPnP/DLNA servers, Airplay, FTP servers, Internet radios. KNXnet/IP support allows easy and fast audio control function, internet radio and specific song or folder mapping to KNX group addresses.

Not only the listening experience is made beautiful with SP, but the domestic visual experience as well. Streaming Player takes care of the flawless stream, the perfect timing needed to get so deep into your digital recordings, you'll completely rediscover everything you've ever heard in digital.



ENG - Data sheet

Issue date 7.03.2014

Application

Music integration into BMS, Multi-room, Control of whole music/player library from touch devices

Types of product

Streaming Player with 2x55W amplifier

Standards and norms compliance

EMC:	EN61000-6-1
	EN61000-6-3
PCT	Certificate

Power supply:	7-36V DC	
Power consumption:	1.2W	Idle mode
Connectivity:	10BaseT/100BaseTX	1
	USB2.0	2
	0-10V input	1, for external volume control (0-5V, 1-10V, 0-10V)
	Stereo output pair	1
	Binary inputs	4, for standard push-button connection
	Subwoofer output	1, analog for interconnection with active subwoofer
Media storage	32GB microSD	Built-in
Connections:	KNX bus	KNXnet/IP over Ethernet
	Power supply	Clamp, 1.5mm ² , up-to 8A
	Serial	Clamp, 1.5mm ²
	I/O	Clamp, 1.5mm ²
	Stereo output / SUB	Screw
Power amplifier	Continues output power	2 x 55W
	THD+N	0.07%
	SNR	102dB
Operating elements	LED	1 – CPU load 1 - Activity
Audio	Audio formats	MP3, WAV, AAC, WMA, FLAC, lossless FLAC 96/24, 24/192
	Protocols supported	DLNA, UPnP, AirPlay, FTP, HTTP, KNXnet/IP
	Sampling frequencies	32, 44, 48, 88, 96, 192 kHz
	Resolutions	16, 20, 24 bit
Enclosure:	Material:	Polyamide
	Color:	Gray
	Dimensions:	70(W)x90(H)x51(L) mm
Usage temperature:	-5C ... +45C	
Storage temperature:	-25C ... +55C	
Weight:	300g	
Warranty:	2 years	



**Caution
Security advice**

The installation and assembly of electrical equipment may only be performed by skilled electrician. The devices must not be used in any relation with equipment that supports, directly or indirectly, human health or life or with application that can result danger of people, animals or real value

Mounting advice

The devices are supplied in operational status. The cables connections included can be clamped to the housing if required.

Electrical connection

The devices are constructed for the operation of protective low voltage (SELV). Grounding of device is not needed. When switching the power supply on or off, power surges must be avoided.

Terminal connection scheme

Bottom side

Ch1		Ch2		SUB		24V		BUTTONS				GND	A.IN	+5V
+	-	+	-	1	2	+	-	1	2	3	4			

Ch1—stereo loudspeaker output (left)

Ch2 – stereo loudspeaker output (right)

SUB— analog subwoofer output (1 is -, 2 is +)

24V – power input 24V for the player

BUTTONS – digital inputs for push-buttons. Configuration is located in Quick Setup

Cont. –control IO ports

IN – binary/analog input, to connect e.g. potentiometer for volume control

OT – binary output, to control e.g. external relay/contactor

GND – ground for Buttons

A.IN – Analog input for manual volume control (0-5V, 1-10V, 0-10V)

+5V – Voltage output for volume control via potentiometer 5 kOhm

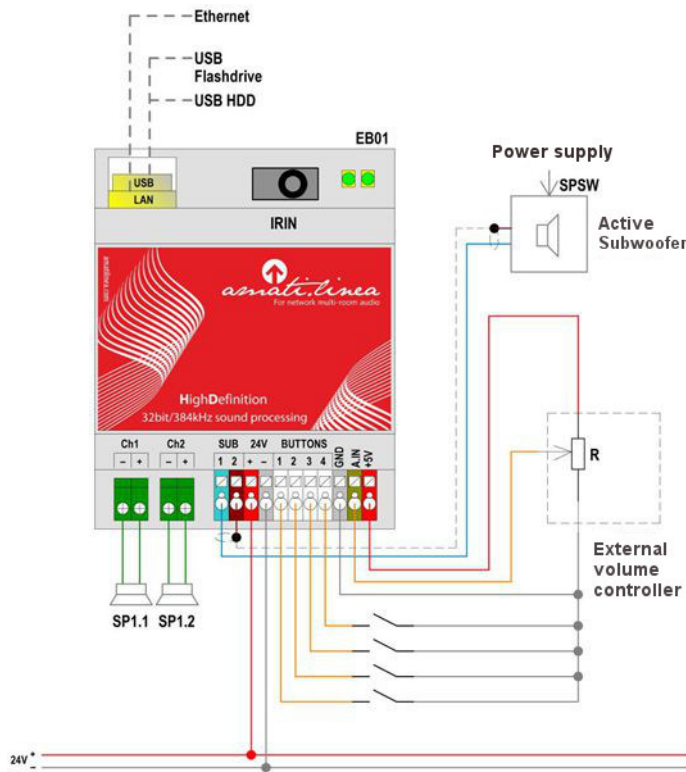
Upper side

ETH – LAN interface to interconnect with local Ethernet network

USB – 2 x USB interfaces for connection of external flash (music playback) or external WiFi adapter

IR-control – 3.5 mm input for external IR emitter

Reset – Reset button. If pressing >10sec once, the device will be set to default IP 192.168.0.10 with mask 255.255.255.0. If pressing >10sec another time, the device will be completely reset – IP settings set to DHCP, DLNA and Internet radio library as well as all user settings.



Default IP configuration

Login name	admin
Password	admin
IP address/mask	DHCP-client

Quick startup guide

The device may be used for installations in dry locations.

1. Connect your speakers(**4-8 Ohms**) to the Streaming Player's loudspeakers outputs
2. Connect Ethernet cable to LAN port (make sure the cable is interconnected with your local network)
3. Plug USB drive with music files in MP3, WAV, AAC, WMA, FLAC.
4. Connect power supply to Streaming Player (power supply's red pole to +24V, black – GND.
5. To check if the wiring is done well, you can run any music file on your iPhone/iPOD and Share it to play on remote Airplay device (*amatilinea*).
6. Streaming Player is setup as DHCP-client. It uses Zero-config utility is called "Bonjour" by Apple which enables automatic discovery of computers, devices, and services on IP networks. iPod, iPhone have this utility pre-installed. For iPad use utility called **Discovery** (the server will be discovered in the service ROAP). On Windows 7 computer you can see the Player as Network share with name *amatilinea*, right click on it, Properties and you will see its IP address. Or you can simply check your DHCP server's lease list to find assigned IP to Streaming Player. More see here: <http://openrb.com/discover-ip-of-logic-machine-or-streaming-player/>
7. Enter Streaming Player's home page by typing IP address in your web browser.
8. DLNA/UPnP/Airplay services are enabled by default in the Streaming Player's *Quick setup*
9. Add additional music sources if any in the Streaming Player's *Quick setup* → *Services* → *FTP mountpoints*
10. Depending on count of music files the device will update its local database in *Audio Player* menu and you can start playing songs there
11. Connect by remote user interface (also called digital media controllers) from iPod/iPhone/iPAD (*MPoD/MPaD* or any UPnP controller apps available as freeware at App Store like *Kinsky*), Android-based phones (*Droid MPD, Mupeace*),

PC (*Ario, Kinsky*). Choose the server (*amatilinea* or by IP) and start making your playlists, controlling the music etc. Update player's database with *Update Database* command from your remote controller. **It might take some time to do initial database update.**

12. Map music control functions to KNX in *System config* → *Network* → *KNX Audio control* menu. Default login and password to access *Network config* is **admin / admin**

Please note that you have to **use external KNX IP Router** (e.g. Logic Machine 3) to access the KNX TP, as Streaming Player supports only KNXnet/IP (TP is not used due to sound quality distortions).